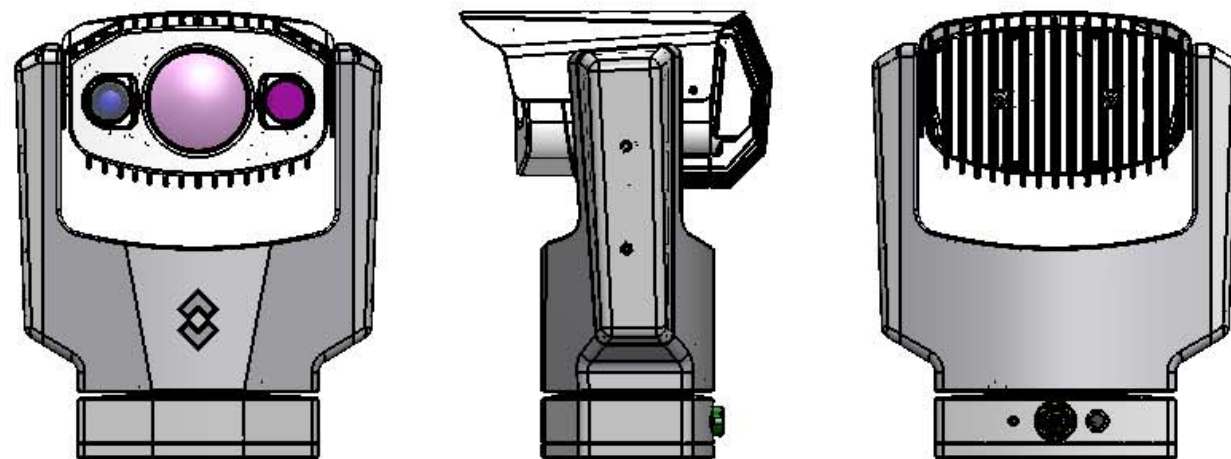


DWG NO. 432-0005-XX-19		SH 1	REV 110	1
REVISIONS				
ZONE	REV	DESCRIPTION	DATE	APPROVED
	100	RELEASE PER ECN 112254	12.3.2010	
	110	REVISE PER ECN 115204	8/31/2011	

NOTES: UNLESS OTHERWISE SPECIFIED

- ① CAMERA SYSTEM SHALL BE IDENTIFIED BY SERIALIZATION LABEL. LABEL SHALL INCLUDE BUT IS NOT LIMITED TO P/N, SERIAL No., AND CAGE CODE AS SHOWN ON SHT 1. LABEL VIEW SHOWN IS FOR REFERENCE ONLY.
- ② SEE "TABLE 1" ON SHT 1 FOR AVAILABLE VOYAGER III CABLE LENGTHS AND CORRESPONDING PART NUMBERS.

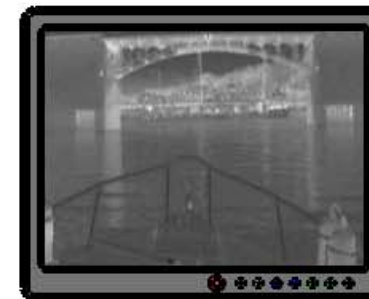
VOYAGER III CAMERA SYSTEM



JOYSTICK CONTROL UNIT (JCU)



MULTI-FUNCTION DISPLAY (CUSTOMER PROVIDED)



MULTIPLE JOYSTICK CONTROL UNITS MAY BE CONNECTED TO AN ETHERNET NETWORK AND USED TO CONTROL THE CAMERA SYSTEM.

ONLY ONE JCU MAY BE USED TO CONTROL THE CAMERA SYSTEM AT ANY GIVEN TIME.

MULTIPLE MULTI-FUNCTION DISPLAYS MAY BE USED IN CONJUNCTION WITH CAMERA SYSTEM.

DISPLAY CONNECTION REQUIREMENTS SHALL BE PER MFG RECOMMENDATION

VOYAGER III CABLE P/N 308-0201-XXX

TABLE 1	
308-0201-50	50 FT ± 6 IN
308-0201-100	100 FT ± 6 IN
308-0201-150	150 FT ± 6 IN
308-0201-200	200 FT ± 6 IN
308-0201-225	225 FT ± 6 IN

BULKHEAD BOX



ETHERNET CONNECTION (POE FROM BULKHEAD BOX)

SHIP POWER

ACCY CONNECTION

NMEA CONNECTION

6X VIDEO OUTPUT

**Voyager III** **FLIR**<sup>®</sup>

432-0005-XX-00X

SN: XXXX

Cage Code: 064Y2

Made in USA

① CAMERA SYSTEM LABEL. VIEW FOR REFERENCE

THIRD ANGLE PROJECTION	THIS DOCUMENT IS CONTROLLED TO FLIR TECHNOLOGY LEVEL 1.											
	THE INFORMATION CONTAINED IN THIS DOCUMENT PERTAINS TO A DUAL USE PRODUCT CONTROLLED FOR EXPORT BY THE EXPORT ADMINISTRATION REGULATIONS (EAR). FLIR TRADE SECRETS CONTAINED HEREIN ARE SUBJECT TO DISCLOSURE RESTRICTIONS AS A MATTER OF LAW. DIVERSION CONTRARY TO US LAW IS PROHIBITED. US DEPARTMENT OF COMMERCE AUTHORIZATION IS NOT REQUIRED PRIOR TO EXPORT OR TRANSFER TO FOREIGN PERSONS OR PARTIES UNLESS OTHERWISE PROHIBITED.											
METRIC	MATERIAL	PROJECT NO.	FLIR Systems, Inc. 70 Castilian Drive Goleta, CA 93117									
INTERPRET DRAWING PER ASME Y14.5M-1994	FINISH	APPROVALS	DATE	TITLE								
UNLESS OTHERWISE SPECIFIED SURFACE ROUGHNESS 0.80um X = ±1 XX = ±.5 ANGULAR = ±.5° FILLET RADIUS = .13 MAX	UNLESS OTHERWISE SPECIFIED ALL MEASUREMENTS ARE IN MM. ALL DIMENSIONS IN ( ) ARE INCHES. DO NOT SCALE DRAWING.	DWN S. CHAPPL	1.30.2010	ICD - VOYAGER III CAMERA SYSTEM								
	APP	CHK	ENG	<table border="1"> <tr> <th>SIZE</th> <th>CAGE</th> <th>DWG NO.</th> <th>REV</th> </tr> <tr> <td>D</td> <td>064Y2</td> <td>432-0005-XX-19</td> <td>110</td> </tr> </table>	SIZE	CAGE	DWG NO.	REV	D	064Y2	432-0005-XX-19	110
SIZE	CAGE	DWG NO.	REV									
D	064Y2	432-0005-XX-19	110									
	SCALE 1:4	PRINTED: 9/6/2011	SHEET 1 OF 2									

DWG NO. 432-0005-XX-19 SH 1 REV 110

8

7

6

5

4

3

1

D

C

B

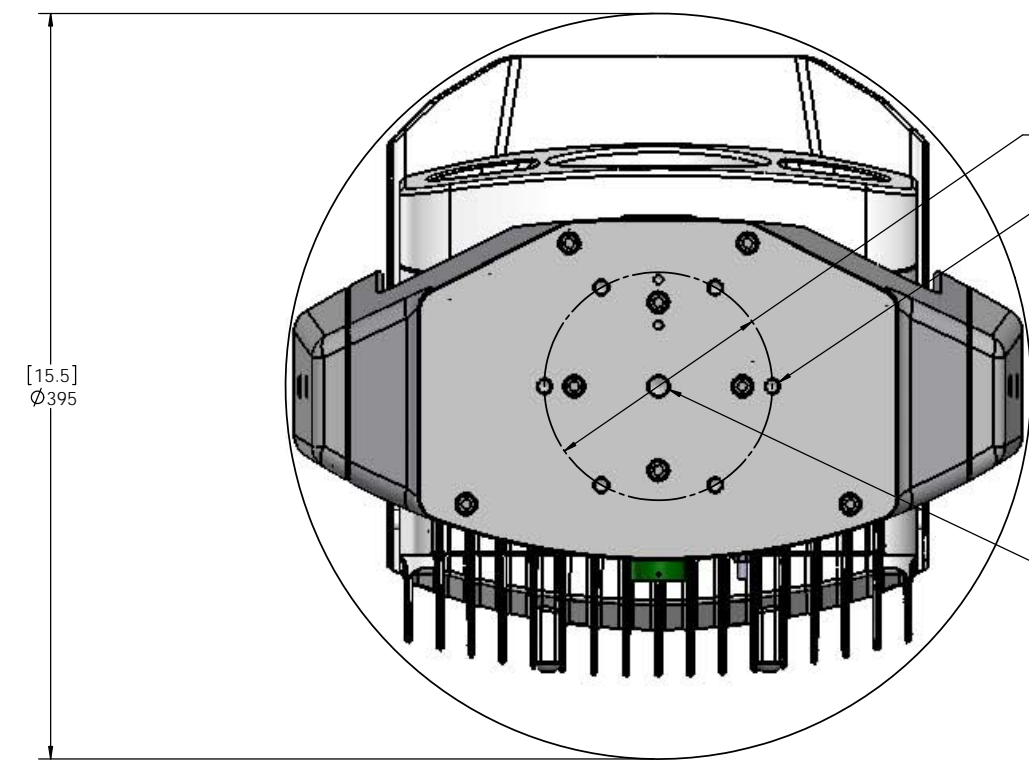
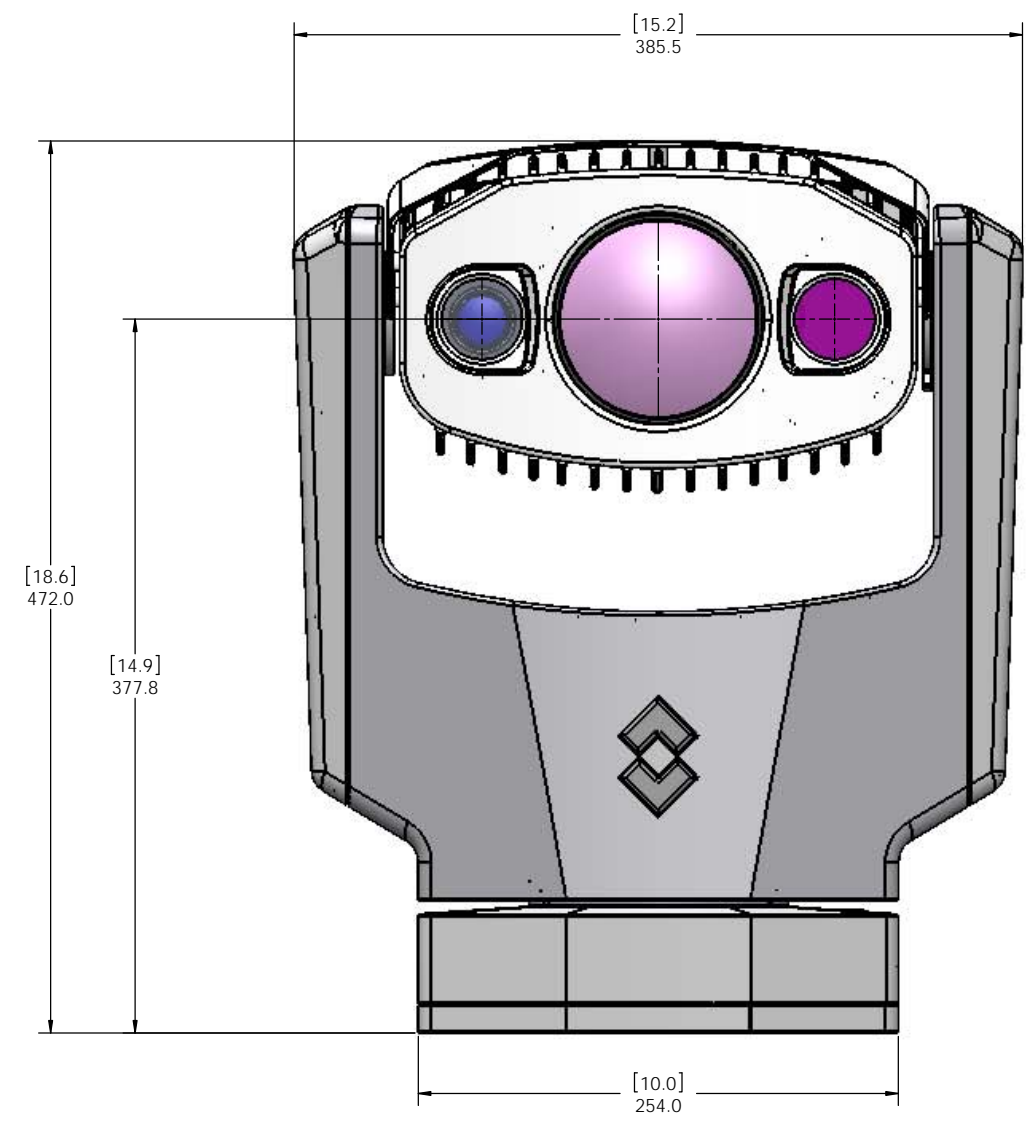
A

D

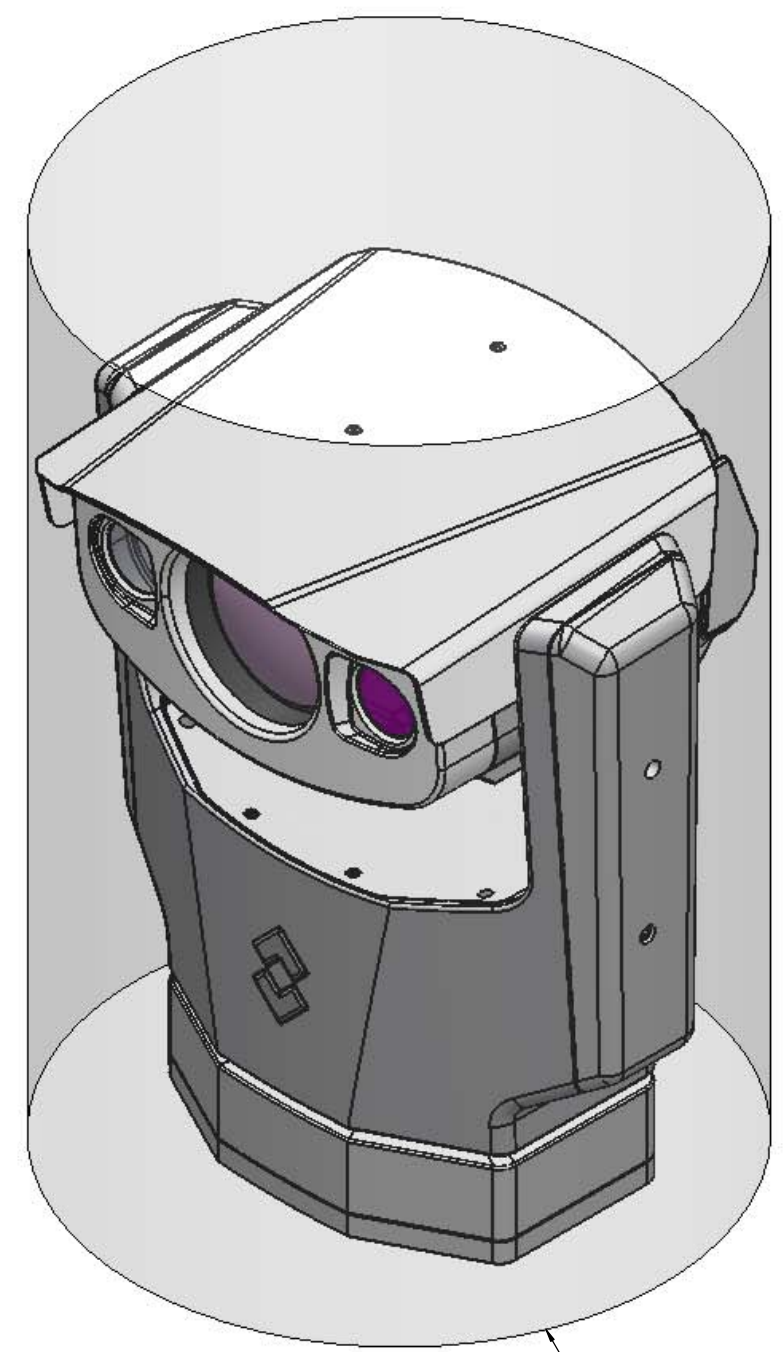
C

B

A



- [4.75]  
Ø120.65 BOLT CIRCLE
- 6X 1/4 - 20 HELICAL COIL INSERT  
EQ. SP. ON NOTED BOLT CIRCLE
- 3/8 - 16 UNC HELICAL COIL INSERT



MINIMUM KEEP OUT VOLUME  
CYLINDER: Ø395 [ 15.5 ] X 585 [ 23.0 ]

**ICD - VOYAGER III  
CAMERA SYSTEM**

SIZE D	CAGE 064Y2	DWG NO. 432-0005-XX-19	REV 110
SCALE 1:2		PRINTED: 9/6/2011	SHEET 2 OF 2

SOLIDWORKS MODEL: 432-0005-XX-00 VOYAGER III CAMERA ASSEMBLY  
MODEL REVISION: 100-WC

DWG NO. 432-0005-XX-19  
 SH 2  
 REV 110