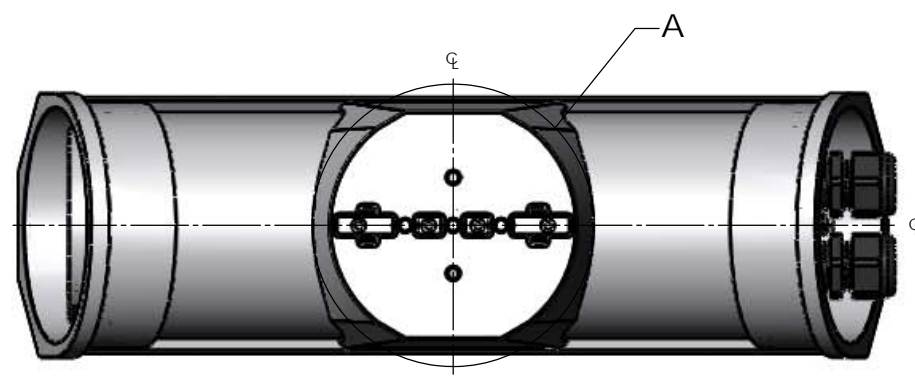
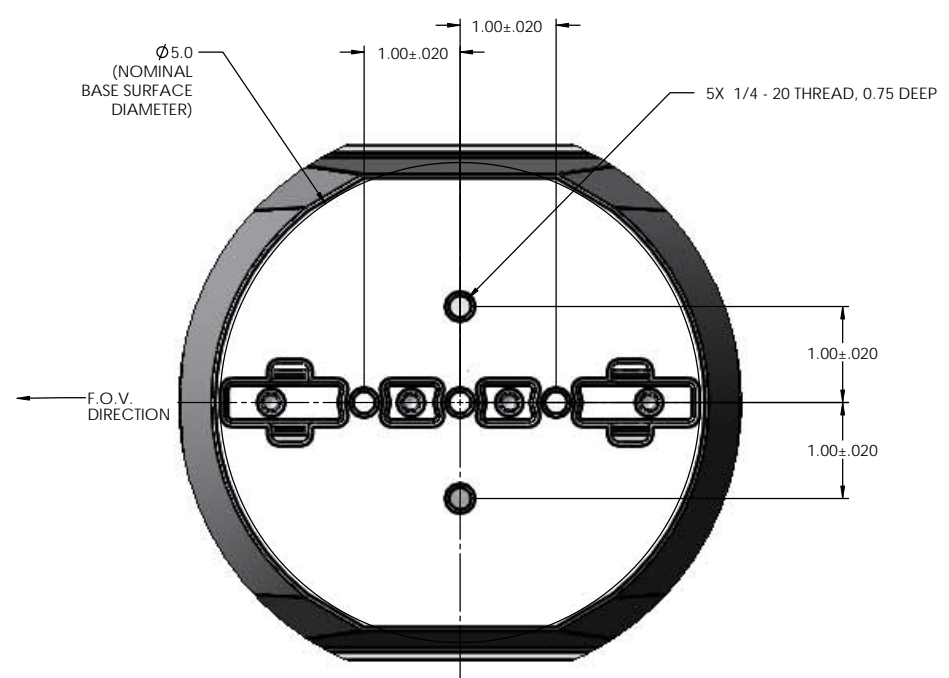
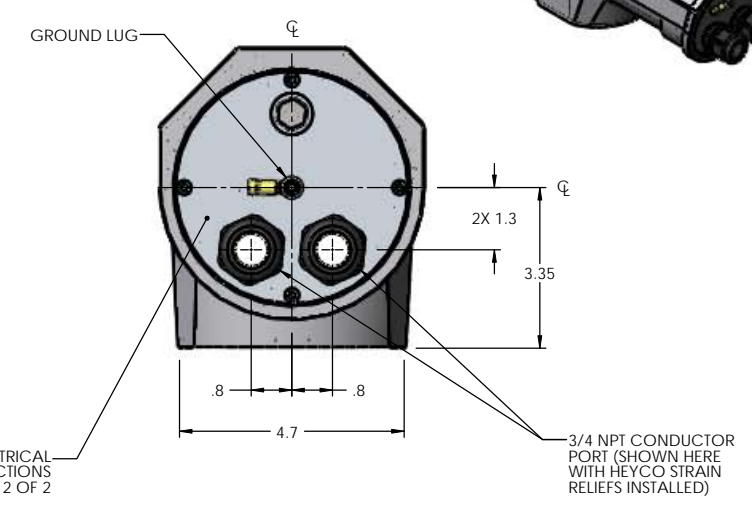
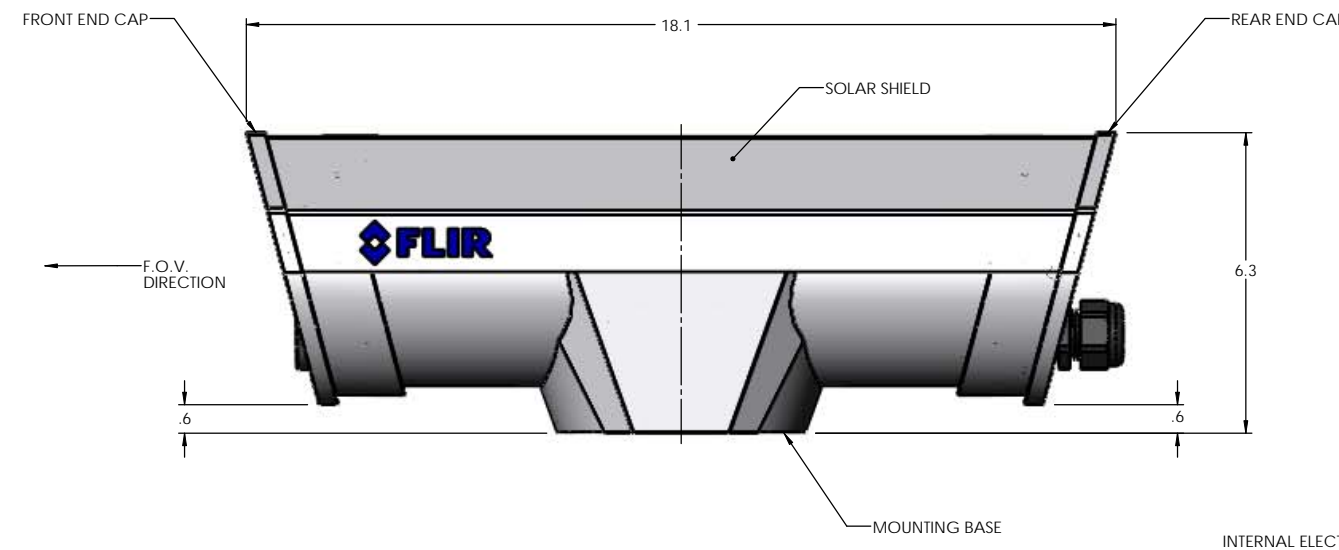
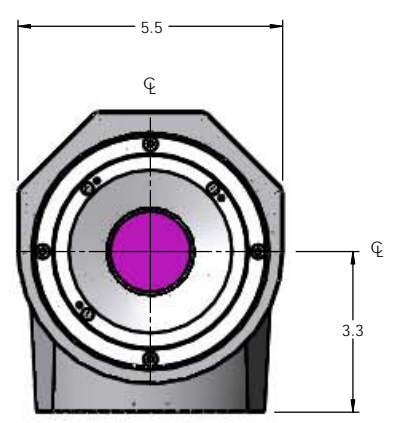
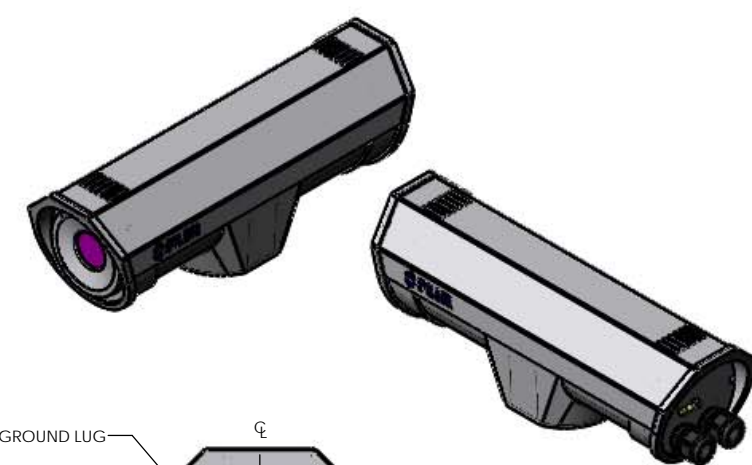
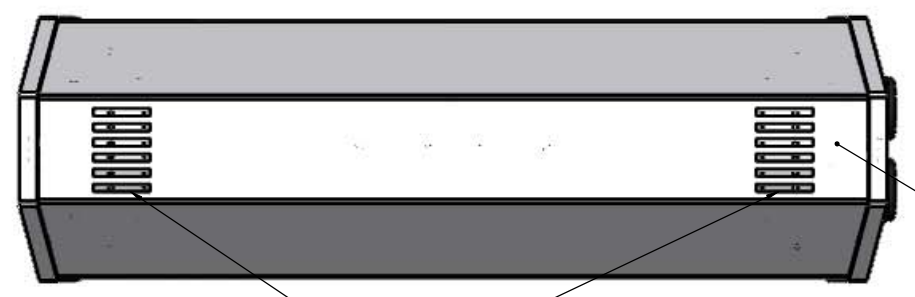
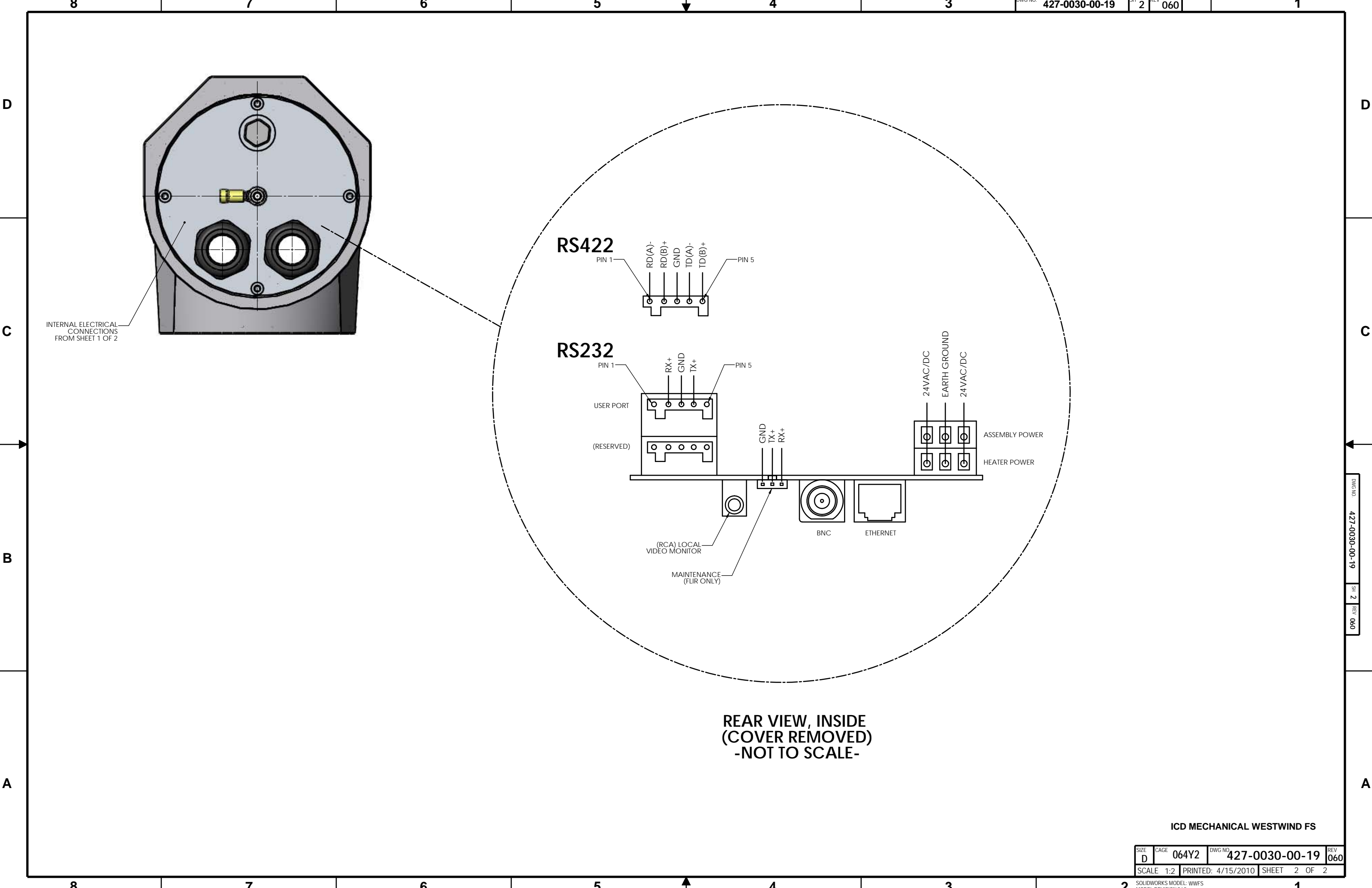


REVISIONS				
ZONE	REV	DESCRIPTION	DATE	APPROVED
	050	REMOVED 485	2/10/2010	
	060	REVISED CONNECTOR DETAIL PER ECN 109461	04/02/10	
	060	REVISED CONNECTOR DETAIL PER ECN 109461	4/2/2010	



THIRD ANGLE PROJECTION	THIS DOCUMENT IS CONTROLLED TO FLIR TECHNOLOGY LEVEL 1.			
	THE INFORMATION CONTAINED IN THIS DOCUMENT PERTAINS TO A DUAL USE PRODUCT CONTROLLED FOR EXPORT BY THE EXPORT ADMINISTRATION REGULATIONS (EAR). FLIR TRADE SECRETS CONTAINED HEREIN ARE SUBJECT TO DISCLOSURE RESTRICTIONS AS A MATTER OF LAW. DIVERSION CONTRARY TO US LAW IS PROHIBITED. US DEPARTMENT OF COMMERCE AUTHORIZATION IS NOT REQUIRED PRIOR TO EXPORT OR TRANSFER TO FOREIGN PERSONS OR PARTIES UNLESS OTHERWISE PROHIBITED.			
INTERPRET DRAWING PER ASME Y14.5M-1994 UNLESS OTHERWISE SPECIFIED SURFACE ROUGHNESS 32 X = ±.1 .XX = ±.01 .XXX = ±.005 ANGULAR = ±.5° FILLET RADII = .005 MAX	MATERIAL SEE NOTE 1	PROJECT NO.	FLIR Systems, Inc. 70 Castilian Drive Goleta, CA 93117	
	FINISH SEE NOTE 2	APPROVALS DWN MLILLY CHK	DATE 10-13-09	TITLE ICD MECHANICAL WESTWIND FS
UNLESS OTHERWISE SPECIFIED ALL MEASUREMENTS ARE IN INCHES. ALL DIMENSIONS IN [] ARE MM. DO NOT SCALE DRAWING.	DSGN	SIZE D	CAGE 064Y2	DWG NO. 427-0030-00-19
CALC. WT.: 8.781 LBS	APP	SCALE 1:2	PRINTED: 4/15/2010	SHEET 1 OF 2
SOLIDWORKS MODEL: VVWFS MODEL REVISION: 060		REV 060		

DWG NO. 427-0030-00-19 SH 1 REV 060



INTERNAL ELECTRICAL CONNECTIONS FROM SHEET 1 OF 2

RS422

RS232

**REAR VIEW, INSIDE
(COVER REMOVED)
-NOT TO SCALE-**

ICD MECHANICAL WESTWIND FS

SIZE	CAGE	DWG NO.	REV
D	064Y2	427-0030-00-19	060
SCALE 1:2		PRINTED: 4/15/2010	SHEET 2 OF 2

SOLIDWORKS MODEL: WWFS
MODEL REVISION: 060