



# FLIR VUE™

all the thermal imager you need; nothing you don't.

FLIR Vue is an affordable thermal camera customized to give sUAS operators all of the thermal imaging capability you need at a price you can handle. Small, lightweight, affordable and easy to integrate, FLIR Vue is a snap to install and get in the air. Simply use a compatible mini-USB cable to give the camera 5 volts of power and get analog thermal video out to your OSD or video transmitter, and you're ready to fly. Compact and light weight, FLIR Vue won't drag down your flight times or throw off your aircraft's center of gravity.



## AFFORDABLE THERMAL IMAGING

- \$1,499 for 336 resolution, \$2,999 for 640 resolution
- Image settings optimized for airborne operations
- Built with future expansion in mind

## THERMAL IMAGING IS NOW AN EASY, PLUG-AND-PLAY ADDITION TO ALMOST ANY AIRFRAME

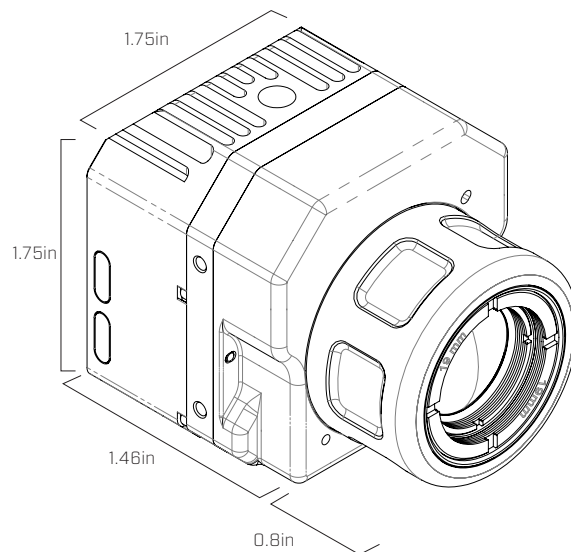
- Simple power-in/video-out interface
- Common connectors make it easy to integrate with your other on-board equipment
- Use a GoPro-compatible mini-USB cable to provide 5VDC input and get analog video out

## SMALL AND LIGHTWEIGHT

- Compact wire connections won't interfere with most gimbals
- Minimize the impact to aircraft weight, center of gravity, and flight time

## Specifications

Overview	
Thermal Imager	Uncooled VOx Microbolometer
Resolution	640x512      336x256
Lens Options (FOV for NTSC Analog Output)	9 mm; 62° × 49°      6.8 mm; 44° × 33° 13 mm; 45° × 35°      9 mm; 34° × 26° 19 mm; 32° × 24°      13 mm; 24° × 18°
Spectral Band	7.5 - 13.5 μm
Full Frame Rates	30 Hz (NTSC); 25 Hz (PAL)
Exportable Frame Rates	7.5 Hz (NTSC); 8.3 Hz (PAL)
Physical Attributes	
Size	2.26" × 1.75" (including lens)
Weight	3.25 - 4 oz (Configuration Dependant)
Precision Mounting Holes	Two M2x0.4 on each of two sides & bottom One 1/4-20 threaded hole on top
Image Processing & Display Controls	
Image Optimization for sUAS	Yes
Digital Detail Enhancement	Yes - Adjustable in GUI
Invertable Image?	Yes - Selectable in GUI
Polarity Control (black hot/white hot) & Color Palettes	Yes - Selectable in GUI
Interfacing	
Input Voltage	4.8 - 6.0 VDC
Power Dissipation (peak)	1.2 W (2.2 W)
Environmental	
Operating Temperature Range	-20°C to +50°C
Non-Operating Temperature Range	-55°C to +95°C
Operational Altitude	+40,000 feet



### SANTA BARBARA

FLIR Systems, Inc.  
6769 Hollister Ave.  
Goleta, CA 93117  
USA  
PH: +1 805.964.9797

### PORTLAND

Corporate Headquarters  
FLIR Systems, Inc.  
27700 SW Parkway Ave.  
Wilsonville, OR 97070  
USA  
PH: +1 866.344.4674

[www.flir.com/flirvue](http://www.flir.com/flirvue)  
NASDAQ: FLIR

Equipment described herein may require US Government authorization for export purposes. Diversion contrary to US law is prohibited. Imagery for illustration purposes only. Specifications are subject to change without notice. ©2016 FLIR Systems, Inc. All rights reserved. (16-0510)