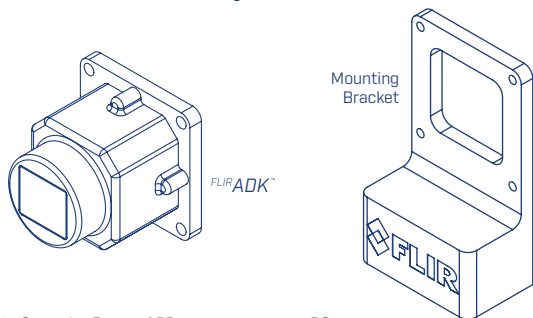


FLIR ADK™

The ADK is the FLIR Boson™ core inside of an IP-67 enclosure to ease integration for automotive data acquisition. For detailed technical information about the Boson camera core, refer to: www.flir.com/boson/resources

To get started with the FLIR Automotive Development Kit (ADK), follow these simple steps:

1. Download and install the Boson GUI from the FLIR Website at: www.flir.com/adk/resources
 - Under the “Resources” tab you’ll find the Boson GUI and the FLIR GUI User Guide.
 - Follow the download instructions and refer to the FLIR GUI user Guide to begin imaging and collecting data
2. Mount the camera on the outside of the vehicle with either your own bracket or the included tripod mounting bracket
 - **Note:** disconnecting the cable from the back of the camera will void the ADK’s IP-67 rating



3. Start the Boson APP program on your PC
4. Refer to the GUI Quick Start Guide to connect to your camera and begin recording 8-bit or 16-bit thermal video