

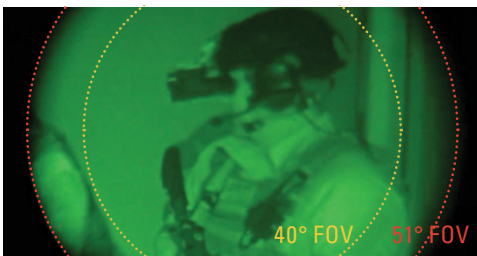


NIGHT VISION BINOCULARS

FLIR BNVD-51®

The FLIR BNVD is a dual-channel night vision system. With a 51° field of view (FOV), it provides a large visual field without needing to move the binoculars. The BNVD uses advanced multi-coated optics and is built to last with a compact composite housing. Operating from a single AA alkaline battery or CR123A battery, the BNVD can run up to 20 hours. Also equipped with an integral infrared illuminator for reading in the dark.

www.flir.com



EXCEPTIONAL VISION

Exceptional Field of View and built-in infrared illuminator

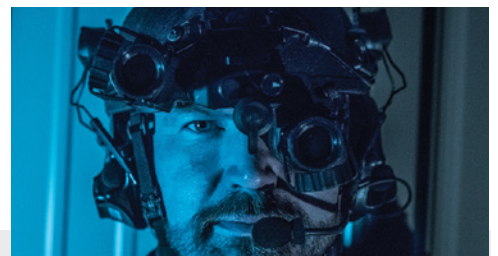
- With a 51° field of view (FOV), the BNVD provides a large visual field without needing to move the binoculars, and makes it easier to track moving objects.
- Built-in IR illuminator enhances night vision and allows for reading in the dark.



COMPACT AND RUGGED

Perfect balance of size and performance

- Built with a tough, ergonomic composite housing that is water and fog resistant.
- Needing only a single AA battery or one CR123 battery for convenient operation, can run up to 20 hours. An optional battery pack mounted behind the helmet extends the use up to 80 hours.



FLEXIBLE MOUNTING OPTIONS

Packed with features for a versatile and customizable viewing experience

- For hands-free operation, the BNVD includes head and helmet mounting options, it can be used as binoculars, as a monocular, goggles or stowed out of the way.
- Operated by a single gain control knob, the BNVD utilizes features like a flip-up-turn-off, and a flip-down-turn-back-on option when mounted to a helmet.

SPECIFICATIONS

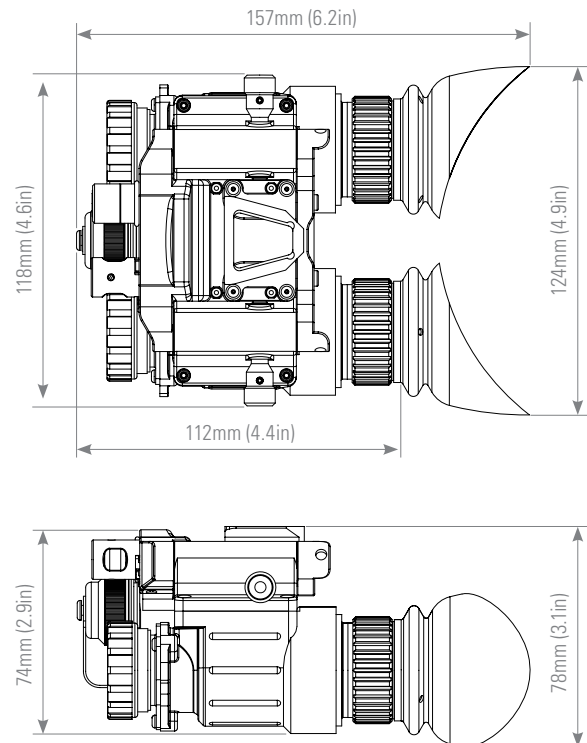
| General | BNVD-51 |
|--|--|
| Image intensifier tube | Gen 2+ or Gen 3 |
| Magnification | 1x (3x optional) |
| Lens system | 19 mm; F/1.26 |
| FOV | 51° |
| Focus range | 0.25m to Infinity |
| Eye relief | 17 mm |
| Diopter adjustment | -6 to +2 dpt |
| User Interface | |
| Operation switch | Power ON/ OFF; IR illuminator ON/ OFF |
| Gain control knob | Adjust the image brightness |
| Diopter adjustment rings | Adjusts the eyepiece diopter |
| Focus rings | Adjusts the objective lens focus |
| LED indicators | Indicates low battery, IR on, and excessive light conditions |
| Features | |
| Manual gain control | Yes |
| Bright light cut-off | Yes |
| Automatic shut-off system | Yes |
| Low battery indicator | Yes |
| Infrared illuminator | Yes |
| Power | |
| Battery type | One CR123A (3V) or AA (1.5 V) |
| Battery life (operating) | Up to 20 hours (up to 80 hrs with optional battery pack) at 20°C |
| Environmental | |
| Operating temperature range | -40°C to +50°C (-40°F to +122°F) |
| Storage temperature range | -50°C to +50°C (-58°F to +122°F) |
| Physical | |
| Weight | 615 g (1.35 lbs) |
| Overall dimensions | 157 × 124 × 78 mm (6.2 × 4.9 × 3.1 in) |
| Dimensions (without eyecup and lens cap) | 112 × 118 × 74 mm (4.4 × 4.6 × 2.9 in) |
| Color (housing) | Black |
| Country of origin | USA |

Package Includes

Night Vision Binoculars, NVG Interface Shoe (preinstalled), Bayonet/Horn Interface Shoe, Sacrificial Window (2), Demist Shield (2), Lens Cloth, Soft Carrying Case

Optional Accessories

ANAF3X0215 - 3x Afocal Lens Kit (includes 2 lenses)
 ATAM000206 - Battery Pack #206 (Includes: Battery Pack Bracket #231, Nylon Bag)
 ATAMNYX15M - Battery Pack Kit (Includes: Battery Pack #206 w/ Battery Pack Bracket #231 and Nylon Bag, NVG Interface Shoe with Connector #212, Battery Locking Plate Adapter #213)
 ANAM000213 - Battery Locking Plate Adapter #213
 ANAM000212 - NVG Interface Shoe with Connector #212
 ANHGNYX205 - Goggle Kit for BNVD (Includes: Goggle Kit #205, Adapter #224)
 ANHGWXNYX0 - Tactical Goggle Kit for BNVD (Includes: Wilcox L4 G24 w/ Low Profile Breakaway mount, Wilcox 3 Hole Shroud, Wilcox Lanyard, Crye Precision Head Cap)
 ANHMNYX15M - Helmet Mount Kit for BNVD (Includes: Helmet Mount #3, Adapter #224)
 ANHC000001 - Hard Shipping/ Storage Case #101



Specifications are subject to change without notice.
 For the most up-to-date specs, go to www.flir.com

FLIR OUTDOOR & TACTICAL SYSTEMS

9 Townsend West,
 Nashua, NH 03063

Phone: 1-888-959-2259
 or (603) 324-7600
 Fax: 1-888-959-2260

FLIR PRODUCT REPAIR CENTER

email: US_CBUrepair@flir.com
 Register on: customer.flir.com

ORDER PLACEMENT, RETURN TO STOCK & INQUIRIES

email: OTS-Orders@flir.com

PRODUCT REGISTRATION

flir.com/support-center/support-hq/

TECHNICAL SUPPORT

email: US_CBUsupport@flir.com

www.flir.com
 NASDAQ: FLIR

Equipment described herein may require US Government authorization for export purposes. Diversion contrary to US law is prohibited. Imagery for illustration purposes only. Specifications are subject to change without notice, check our website: www.flir.com
 ©2018 FLIR Systems, Inc. All rights reserved.
 Updated 11/22/2018

18-2268-OTS



The World's Sixth Sense™