

Power & HDMI Video Module Instruction Sheet

The FLIR Power & HDMI Video Module makes it easier than ever to integrate your Vue Pro or Vue Pro R, giving you a wider voltage input range, reverse polarity protection, and HDMI digital video output.

Features:

Power Input	5vdc(640mA)-28vdc(160mA)
Reverse Polarity Protection?	Yes
USB Mass Storage?	Yes – pass-through to camera's mini-USB connector
HDMI Output	1280x720 @ 60hz

Note that in order to maintain a 1:1 pixel aspect ratio and not distort the image, the FLIR Power & HDMI Video Module may add black borders to the HDMI output. This can be a nice convenience for those adding OSD Telemetry information so thermal data is not hidden.

Box Contents:

FLIR Power & HDMI Video Module (qty 1)
M2x14 flat head fasteners (qty 2)
Instruction Sheet

Indicator LED:

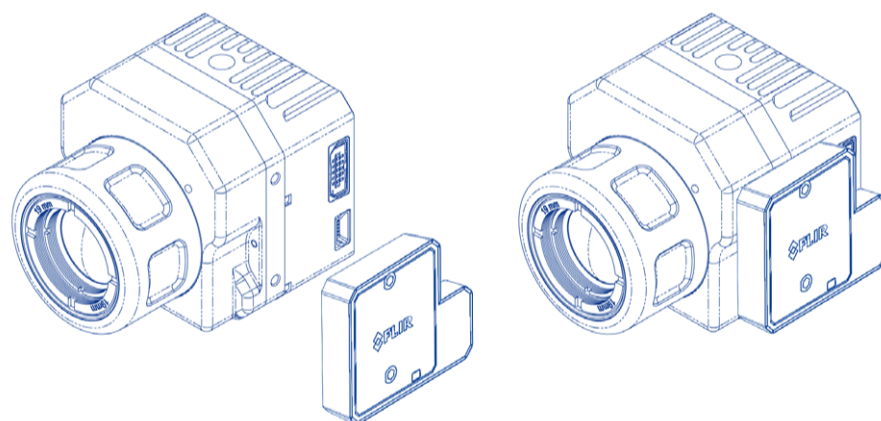
Red during boot or error
Green during normal operation

External connections:

10-pin mini-USB	Power Input Analog Video Output USB Communication
Micro-HDMI	Digital Video Output

Installation:

1. Insert the 10-pin mini-USB plug on the Power & HDMI Video Module into the matching 10-pin mini-USB socket in the side of your Vue Pro or Vue Pro R.
2. Insert the two M2x14 flat head fasteners into the side of the Power & HDMI Video Module and screw into the camera until they are snug. Take care not to strip the screw heads.



Mini-USB Connection:

The pinouts for the 10-pin mini-USB connector are the same for the FLIR Power & HDMI Video Module as they are on the Vue Pro and Vue Pro R. Connect the input power and analog video output (if used) per the instructions in the Vue Pro and Vue Pro R manual.

For support, contact FLIR at:

1-866-667-7732

FCC-B, CE approved